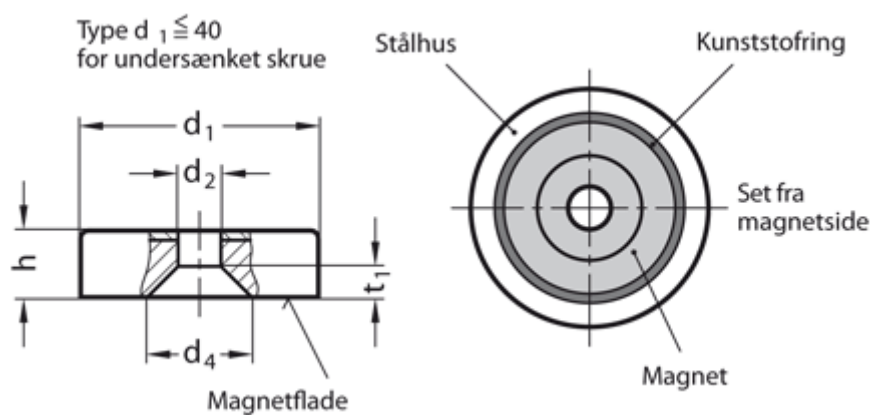


Article number: 201227035

Description: E+G Magnet - with bore GN 50.45-HF-32-7-5,5  
HF hard ferrite - 200°C, 72N

## Measures



d1 = 40 +0,2/-0,1

d2 = 5.5

d4 = 11.5

h = 8 +0,4/-0,2

Holding force N = 72

Material = HF hard ferrite - 220°C

t1 = 3.5